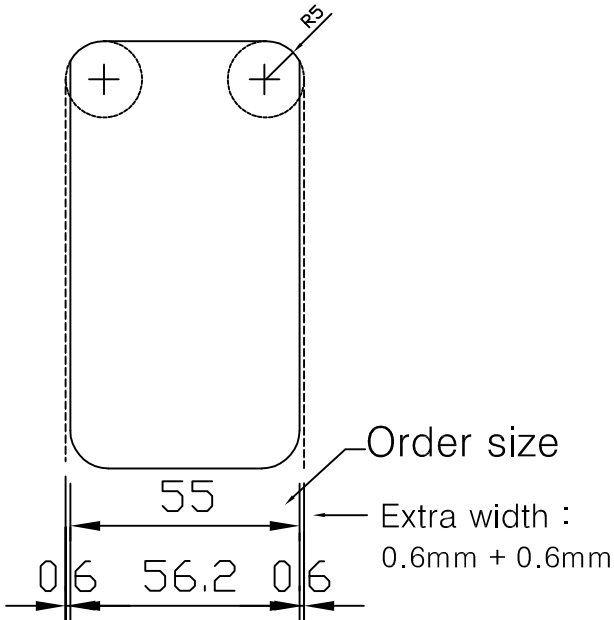


Table for TBC-50R

* R = Radius

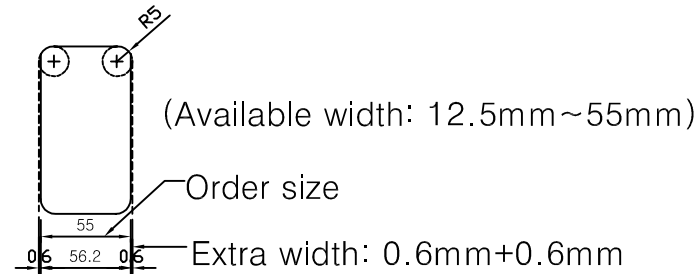
Example



If your velcro tape is of 55mm width, we prepare knife size of 56.2mm including extra width(0.6mm+0.6mm, as shown in above image.) to cover tolerance of velcro tape. (in case of R=5mm) So, if your velcro tape has more tolerance than above, R=3mm is recommended.

In case of R=5mm

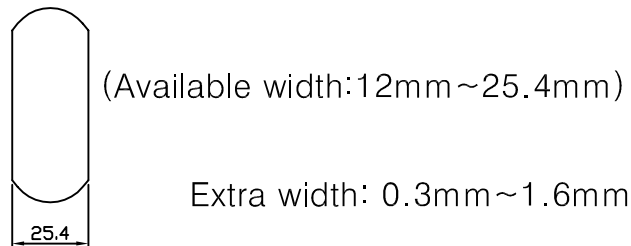
Normal Round Single



Normal Round Double



Oval Type Single

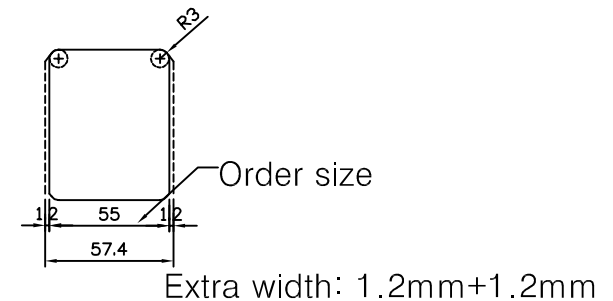


Circle Single

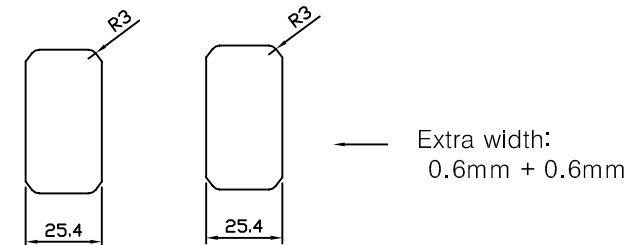


In case of R=3mm

Normal Round Single



Normal Round Double



Half Circle Single

